

PVCu Butterfly valves PROFLOW P
PVCu Valvole a farfalla PROFLOW P



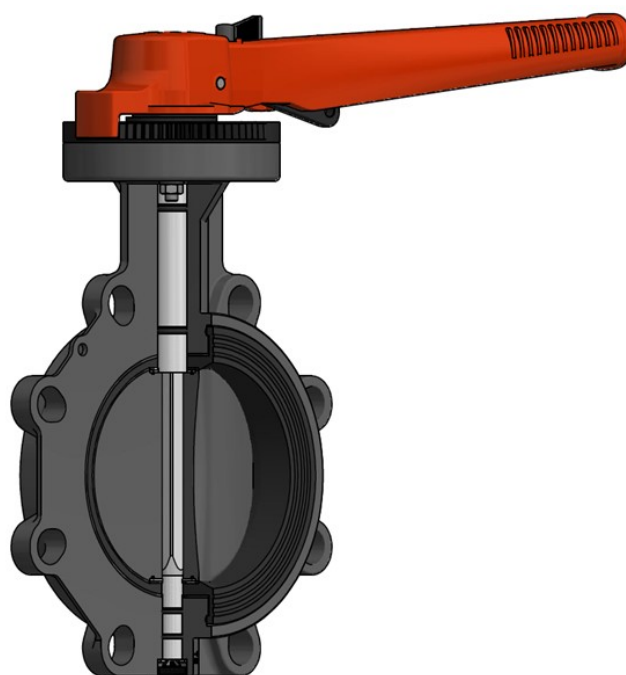
High performance butterfly valve for closing or flow regulating applications. Greater flow rates and reduced pressure drop across the valve, fine control, chemical resilience means the PROFLOW P butterfly valve is ideal for high performance industrial applications.

Valvola a farfalla ad alte prestazioni per intercettazione o regolazione del flusso. Le maggiori portate e le ridotte perdite di carico attraverso la valvola, il controllo preciso e la resistenza chimica rendono la valvola a farfalla PROFLOW P ideale per applicazioni industriali ad alta prestazione.

- Patented High Flow offset disc with a unique design to allow for a greater flow rate and lower pressure drop in comparison to traditional discs, and a linear response resulting in greater control and excellent flow regulation.

Disco brevettato per garantire maggiore portata e minori perdite di carico rispetto ai dischi tradizionali e consentire una risposta lineare con conseguente miglior controllo ed eccellente regolazione del flusso.

- Integral seal made of EPDM or FKM and machined PVC-U body to guarantee a secure seal.
Guarnizione integrale in EPDM o FKM e corpo in PVC-U lavorato, per garantire una perfetta tenuta.
- AISI 420b or AISI 316 SS stem, square according to ISO 5211.
Asta in acciaio AISI 420b or AISI 316, a estremità quadra secondo ISO 5211.
- Regulating plate with 19 positions between 0° and 90°, for fine readjustment of the flow rate.
Regolazione fine della portata, con 19 posizioni tra 0° e 90°.
- Suitable for installation between EN/ISO/DIN, ANSI and JIS flanges.
Adatta per l'installazione con flange EN/ISO/DIN, ANSI e JIS.
- Fit for contact with potable water.
Adatta per il contatto con acqua potabile.
- Compliant with the requirements of Pressure Equipment Directive 2014/68/EU, Annex III, Module A2.
Conforme ai requisiti della Direttiva Europea 2014/68/EU sulle attrezzature a pressione, Allegato III, Modulo A2.



TECHNICAL FEATURES / CARATTERISTICHE TECNICHE

NOMINAL PRESSURE / PRESSIONE NOMINALE	PN 10 (145 psi) 20°C
DIMENSIONS / DIMENSIONI	DN 65 ÷ DN 200 (d.75 ÷ 200/225 mm; 2"1/2 ÷ 8")
VALVE MATERIAL / MATERIALE VALVOLA	PVC-U
SEALS MATERIAL / MATERIALE GUARNIZIONI	EPDM, FKM, EPDM NSF Certified on request / EPDM Certificato NSF a richiesta
TEMPERATURE RANGE / TEMPERATURA	0°C ÷ 60°C
STEM MATERIAL / MATERIALE ASTA	AISI 420b/AISI 316
COUPLING STANDARDS / GIUNZIONI	Flanging system, drilled to: / Flangiatura, con foratura secondo: EN ISO 1452, EN ISO 15493, DIN 2501, EN 1092-1; ASTM B16.5; JIS B2220
CONTROL OPTIONS / OPZIONI DI COMANDO	Hand-operated / Manuale Wheel gearbox / Manuale con riduttore a volantino Electrically actuated / Comando elettrico Pneumatically actuated / Comando pneumatico



EPDM NSF certified available on request / EPDM certificato NSF disponibile a richiesta

Certifications and approvals: only for items declared on Official Listing or certificates. / Certificazioni: solo per gli articoli dichiarati nelle Official Listing o nei certificati stessi.

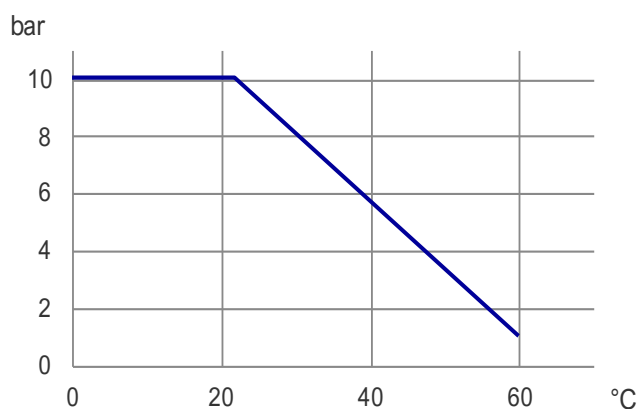
PVC-U Butterfly valves PROFLOW® P PVC-U Valvole a farfalla PROFLOW® P



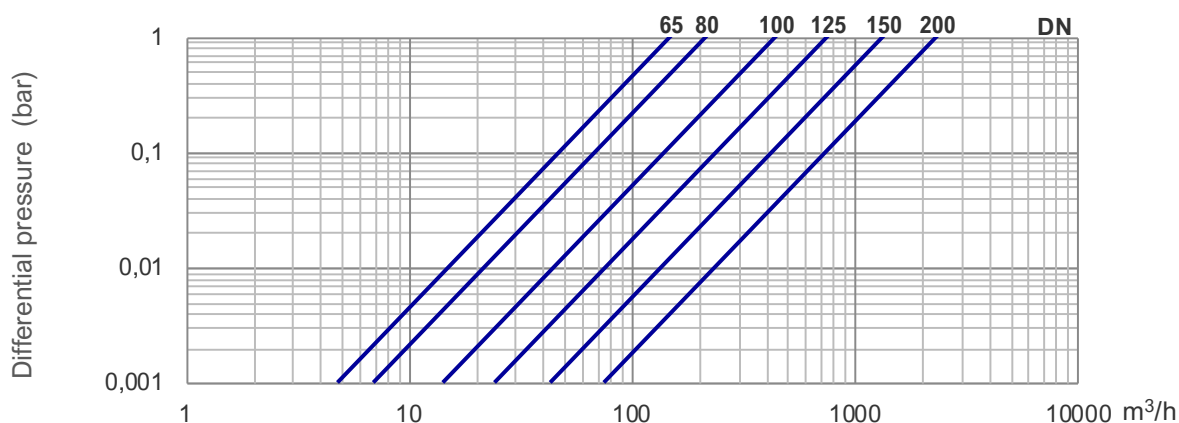
Operating pressure / Pressione di esercizio

Maximum operating pressure for PVC-U: according to temperature as shown in graph.

Massima pressione di esercizio per il PVC-U: secondo quanto indicato nel grafico in figura.



Pressure loss / Perdite di carico



Flow rate coefficient Kv100 / Coefficiente di flusso Kv100

At $\Delta p = 1$ bar.

Kv100 flow coefficient is the flow rate of water at 20°C that will generate 1 bar pressure drop. The Kv100 values in the table are calculated for the valve completely open.

Per $\Delta p = 1$ bar.

Il coefficiente di flusso Kv100 è la portata dell'acqua a 20° che genera una caduta di pressione di 1 bar. I valori del coefficiente Kv100 riportati nella tabella sono riferiti alla valvola completamente aperta.

DN	65	80	100	125	150	200
m ³ /h	153	219	456	775	1368	2371

Torque force at maximum/minimum pressure rate / Coppia di manovra alla massima/minima pressione

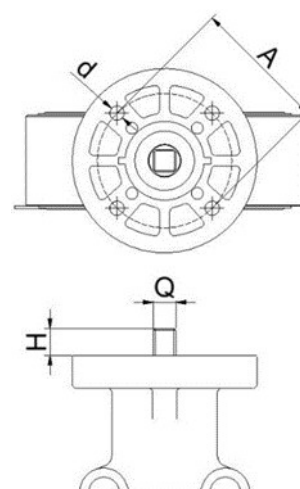
DN	65	80	100	125	150	200
At min PFA rate (Nm)	10	15	20	46	70	90
At max PFA rate (Nm)	25	28	35	53	88	140

Actuation / Attuazione

PROFLOW butterfly valve can be actuated with standard electric or pneumatic actuators and can be equipped with wheel gearboxes. The mounting flange is drilled according to standard ISO 5211. No additional kit is needed.

La valvola a farfalla PROFLOW può essere azionata mediante attuatori elettrici o pneumatici standard e può essere dotata di riduttore a volantino. Lo standard di accoppiamento è conforme allo standard ISO 5211. Non sono necessari kit aggiuntivi.

DN	ISO 5211	A	d	Q	H
65	F07	70	9	14	16
80	F07	70	9	14	16
100	F07	70	9	14	16
125	F07	70	9	14	16
150	F07/F10	70/102	9/11	17	19
200	F07/F10	70/102	9/11	22	24



Flanged coupling / Accoppiamento flange

Before installing the valve, check that the bore of the fixed flange/stub allows the valve disc to open correctly. Refer to dimension Q (see dimensional sheets) for the minimum bore needed.

PROFLOW P valve is compatible with the following standards for flanges:

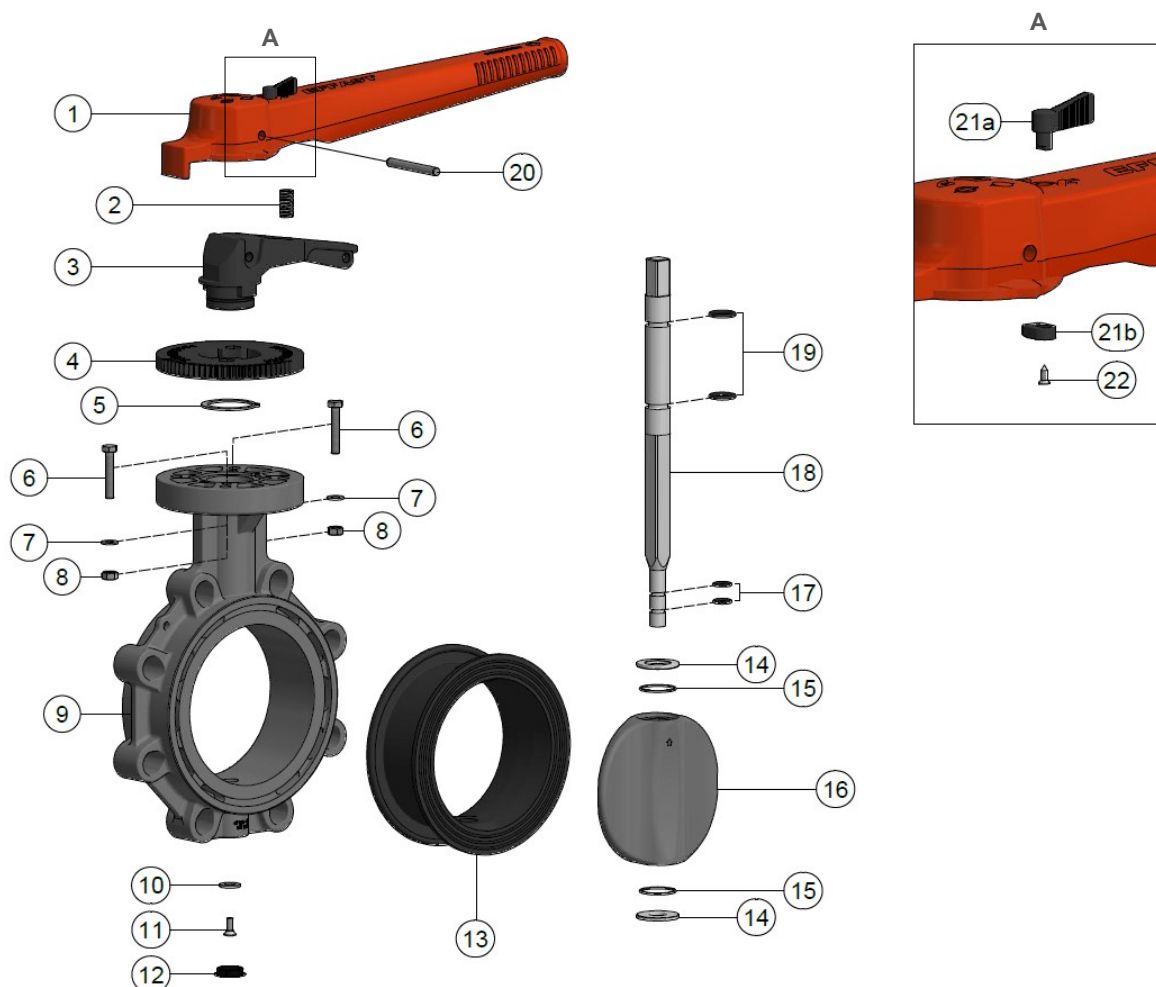
Prima di installare la valvola, verificare che il foro della flangia fissa/del collare permetta al disco di ruotare e aprirsi correttamente. Fare riferimento alla dimensione Q (vedi scheda dimensionale) per il minimo alesaggio necessario.

La valvola a farfalla PROFLOW P è compatibile con flange conformi ai seguenti standard:

DN	d (mm)	d (in)	EN/ISO/DIN PN10	ANSI 150 lb	JIS 10K	JIS 5K
65	75	2" 1/2	✓✓	✓✓	✓✓	X
80	90	3"	✓	✓✓	✓	X
100	110	4"	✓	✓	✓	X
125	125/140	5"	✓	✓	✓	X
150	160	6"	✓✓	✓✓	✓✓	✓✓
200	200/225	8"	✓✓	✓✓	X	✓✓

✓✓ full drilled - ✓ partially drilled - X NOT compatible

Components / Componenti



n.	COMPONENT	MATERIAL	Qty
1	Handle / Maniglia	ABS	1
2	Spring / Molla	Steel / Acciaio	1
3	Handle support / Supporto maniglia	PA6 30GF	1
4	Regulating plate / Piatto di regolazione	PA6 30GF	1
5	Retaining ring / Anello di arresto	Zinc-plated steel / Acciaio zincato	1
6	Screw / Vite	Zinc-plated steel / Acciaio zincato	2
7	Washer / Rondella piana	Zinc-plated steel / Acciaio zincato	2
8	Nut / Dado esagonale	Zinc-plated steel / Acciaio zincato	2
9	Body / Corpo	PVC-U	1
10	Washer / Rondella piana	Zinc-plated steel / Acciaio zincato	1
11	Screw / Vite	Zinc-plated steel / Acciaio zincato	1

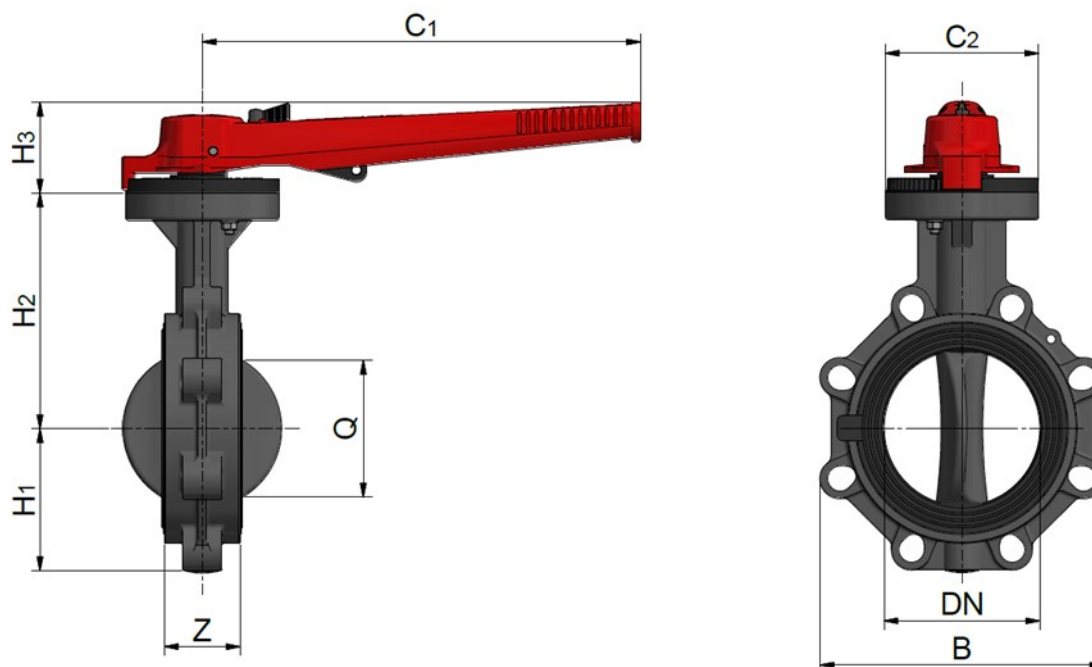
n.	COMPONENT	MATERIAL	Qty
12	Cap / Tappo	HDPE	1
13	Liner / Guarnizione	EPDM/FKM	1
14	Disc seal ¹ / Tenuta disco ¹	PTFE	2
15	Disc O-ring ¹ / O-ring disco ¹	EPDM/FKM	2
16	Disc / Disco	PVC-U	1
17	Stem O-ring / O-ring asta	EPDM/FKM	2
18	Stem / Asta	AISI 420b/AISI 316	1
19	Stem O-rings / O-ring asta	EPDM/FKM	2
20	Straight pin / Spina	Zinc-plated steel / Acciaio zincato	1
21	Quick handle lock ² / Blocco rapido maniglia ²	PA6 30GF	1
22	Screw / Vite	Zinc-plated steel / Acciaio zincato	1

1) From DN 125 to DN 200 / Da DN 125 a DN 200

2) Quick handle lock: from DN 150 / Blocco rapido maniglia: da DN 150

All descriptions and illustrations in this publication are intended for guidance only and shall not constitute a 'sale by description'. All dimensions given are nominal, while changes can be done on the information, products and specifications from time to time for a variety of reasons, without prior notice. The information in this publication is provided 'as is' on the revision date stated on the sheet. Updates will not be issued automatically. This information is not intended to have any legal effect, whether by way of advice, representation or warranty (express or implied). We accept no liability whatsoever (to the extent permitted by law) if you place any reliance on this publication you must do so at your own risk. All rights reserved. Copyright in this publication belongs to Polypipe Italia and all such copyright may not be used, sold, copied or reproduced in whole or part in any manner in any media to any person without prior consent. **EFFAST** is a registered trademark."

- Stem: stainless steel AISI 420b / *Asta: acciaio AISI 420b*
- Seals: EPDM or FKM / *Guarnizioni: EPDM o FKM*
- Installation between EN/ISO/DIN, ANSI or JIS flanges / *Installazione mediante flange EN/ISO/DIN, ANSI o JIS*



Code EPDM	Code FKM	d	DN	Z	H1	H2	H3	C1	C2	B	Q	PN	Weight (g)
FDRPFP0750.CR	FDRPFP075V.CR	75	65	48	80	132	63	246	113	134	61	10	1656
FDRPFP0900.CR	FDRPFP090V.CR	90	80	59	92	132	63	246	113	139	73	10	1856
FDRPFP1100.CR	FDRPFP110V.CR	110	100	59,5	106	132	63	246	113	150	82	10	2137
FDRPFP1400.CR	FDRPFP140V.CR	125/140	125	65	119	159	63	246	113	185	107	10	2974
FDRPFP1600.CR	FDRPFP160V.CR	160	150	69	130	215	83	400	140	259	128	10	5960
FDRPFP2250.CR	FDRPFP225V.CR	200/225	200	71	159	215	83	400	140	318	177	10	7090

DN 65 and 150-200: full drilled body; *DN 80-125: partially drilled body*

DN 65 e 150-200: corpo con asolatura completa; *DN 80-125: corpo con asolatura parziale*



Certifications and approvals: only for items declared on Official Listing or certificates. / *Certificazioni: solo per gli articoli dichiarati nelle Official Listing o nei certificati stessi.*

PVC-U Butterfly valves PROFLOW® P

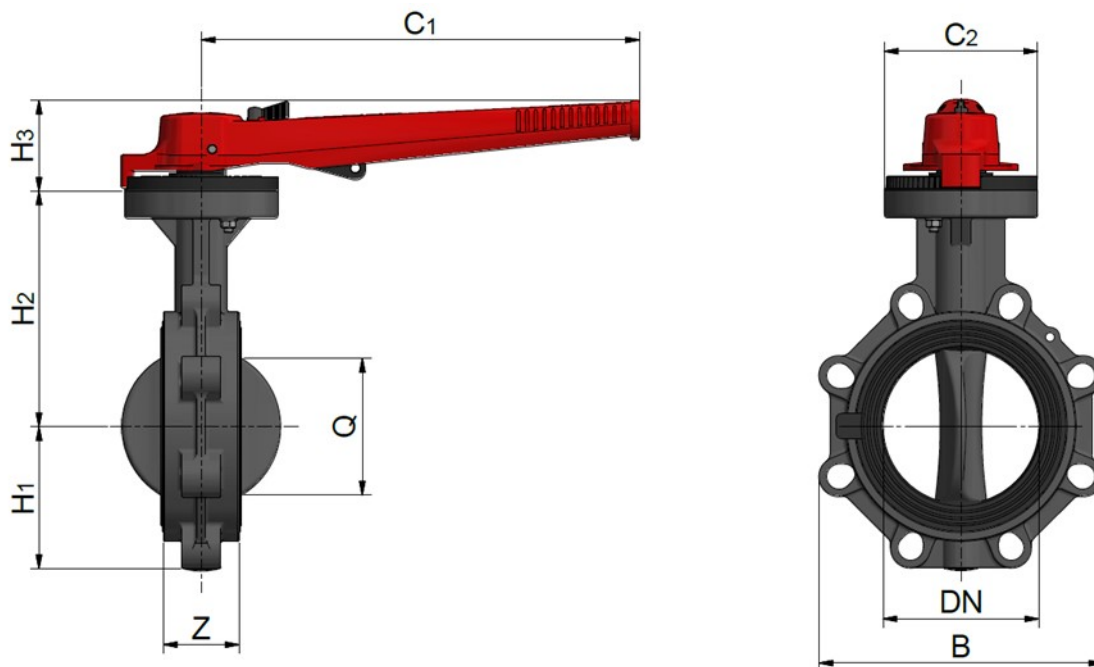
PVC-U Valvole a farfalla PROFLOW® P



MANUAL MANUALE

Rev. Nov 2019

- Stem: stainless steel AISI 316 / *Asta: acciaio AISI 316*
- Seals: EPDM or FKM / *Guarnizioni: EPDM o FKM*
- Installation between EN/ISO/DIN, ANSI or JIS flanges / *Installazione mediante flange EN/ISO/DIN, ANSI o JIS*



Code EPDM	Code FKM	d	DN	Z	H1	H2	H3	C1	C2	B	Q	PN	Weight (g)
FDRPFP0750	FDRPFP075V	75	65	48	80	132	63	246	113	134	61	10	1656
FDRPFP0900	FDRPFP090V	90	80	59	92	132	63	246	113	139	73	10	1856
FDRPFP1100	FDRPFP110V	110	100	59,5	106	132	63	246	113	150	82	10	2137
FDRPFP1400	FDRPFP140V	125/140	125	65	119	159	63	246	113	185	107	10	2974
FDRPFP1600	FDRPFP160V	160	150	69	130	215	83	400	140	259	128	10	5960
FDRPFP2250	FDRPFP225V	200/225	200	71	159	215	83	400	140	318	177	10	7090

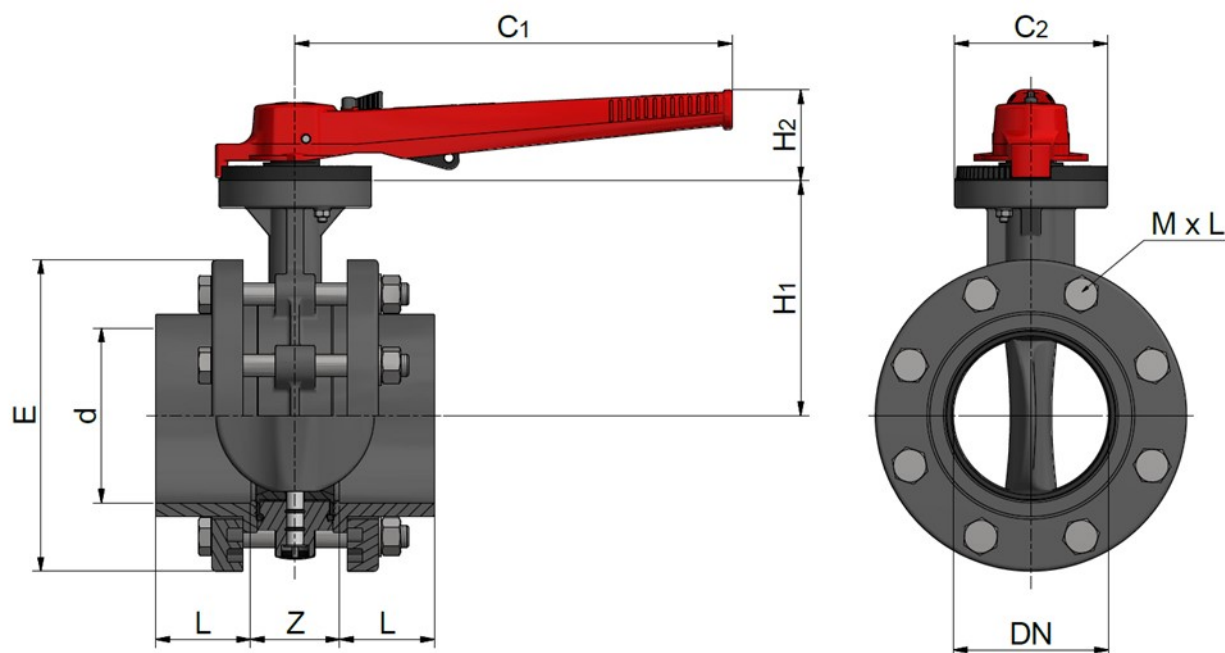
DN 65 and 150-200: full drilled body; *DN 80-125: partially drilled body*

DN 65 e 150-200: corpo con asolatura completa; *DN 80-125: corpo con asolatura parziale*



Certifications and approvals: only for items declared on Official Listing or certificates. / *Certificazioni: solo per gli articoli dichiarati nelle Official Listing o nei certificati stessi.*

- Stem: stainless steel AISI 316 / Asta: acciaio AISI 316
- Seals: EPDM or FKM / Guarnizioni: EPDM o FKM
- EN/ISO/DIN flanges / Flange EN/ISO/DIN



Code EPDM ¹	d	DN	L	Z	H1	H2	E	C1	C2	n	M x L	PN	Weight (g)
FDRPFPF0750	75	65	44	58	132	63	185	246	113	4	M16 x 130	10	3844
FDRPFPF0900	90	80	52	67	132	63	200	246	113	8	M16 x 140	10	5722
FDRPFPF1100	110	100	62	67.5	132	63	220	246	113	8	M16 x 160	10	6721
FDRPFPF1250	125	125	69	77	159	63	250	246	113	8	M16 x 180	10	9390
FDRPFPF1400	140	125	78	81	159	63	250	246	113	8	M16 x 180	10	8726
FDRPFPF1600	160	150	87	81	215	83	285	400	140	8	M20 x 200	10	14724
FDRPFPF2000	200	200	106	87	215	83	340	400	140	8	M20 x 200	10	18028
FDRPFPF2250	225	200	119	87	215	83	340	400	140	8	M20 x 200	10	17642

1) FKM code / Codice FKM: FDRPFPF***V

DN 65 and 150-200: full drilled body; DN 80-125: partially drilled body

DN 65 e 150-200: corpo con asolatura completa; DN 80-125: corpo con asolatura parziale

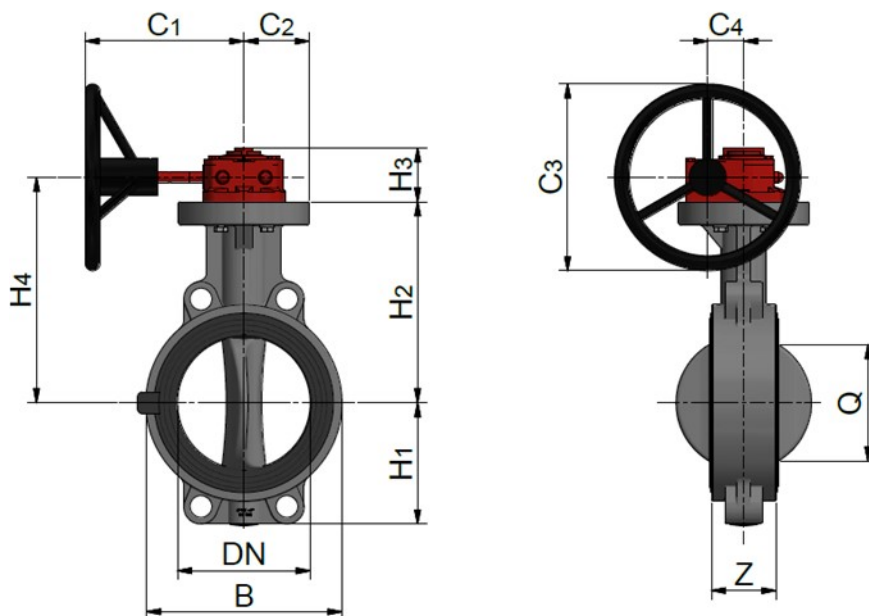


Certifications and approvals: only for items declared on Official Listing or certificates. / Certificazioni: solo per gli articoli dichiarati nelle Official Listing o nei certificati stessi.

WHEEL GEARBOX
RIDUTTORE A VOLANTINO

Rev. Sep 2019

- Stem: stainless steel AISI 420b / Asta: acciaio AISI 420b
- Seals: EPDM or FKM / Guarnizioni: EPDM o FKM
- Installation between EN/ISO/DIN, ANSI or JIS flanges / Installazione mediante flange EN/ISO/DIN, ANSI o JIS



Code	d	DN	Z	H1	H2	H3	H4	C1	C2	C3	C4	B	Q	PN	Weight (g)
FDRGPPF0750.CR	75	65	48	80	132	53	158,5	139	56,5	160	42,5	134	61	10	2350
FDRGPPF0900.CR	90	80	59	92	132	53	158,5	139	56,5	160	42,5	139	73	10	2550
FDRGPPF1100.CR	110	100	59,5	106	132	53	158,5	139	56,5	160	42,5	150	82	10	2831
FDRGPPF1400.CR	125/140	125	65	119	159	53	158,5	139	56,5	160	42,5	185	107	10	3668
FDRGPPF1600.CR	160	150	69	130	215	59	244,5	189	70	160	42,5	259	128	10	6268
FDRGPPF2250.CR	200/225	200	71	159	215	67	248,5	207	70	200	50	318	177	10	8350

1) FKM code / Codice FKM: FDRGPPF***V

DN 65 and 150-200: full drilled body; DN 80-125: partially drilled body

DN 65 e 150-200: corpo con asolatura completa; DN 80-125: corpo con asolatura parziale

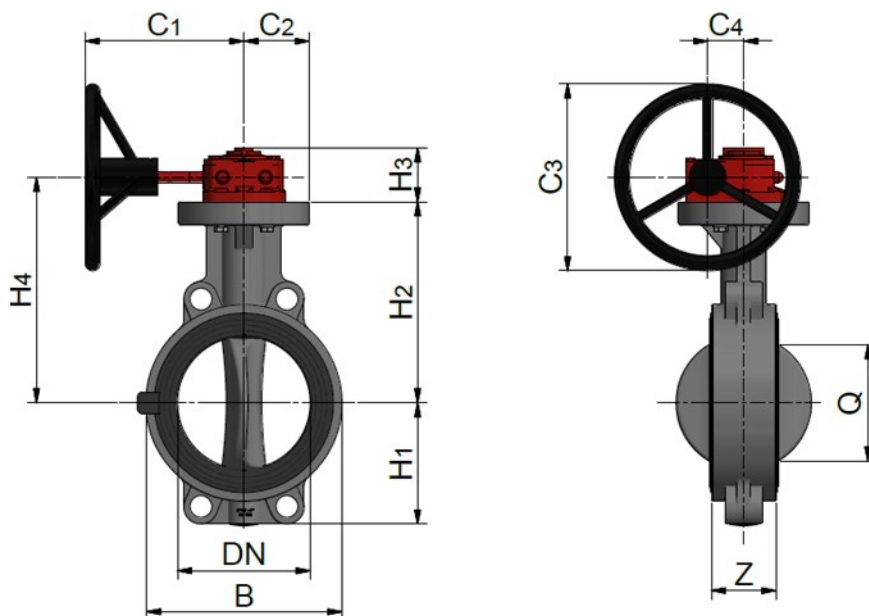


Certifications and approvals: only for items declared on Official Listing or certificates. / Certificazioni: solo per gli articoli dichiarati nelle Official Listing o nei certificati stessi.

WHEEL GEARBOX
RIDUTTORE A VOLANTINO

Rev. Sep 2019

- Stem: stainless steel AISI 316 / Asta: acciaio AISI 316
- Seals: EPDM or FKM / Guarnizioni: EPDM o FKM
- Installation between EN/ISO/DIN, ANSI or JIS flanges / Installazione mediante flange EN/ISO/DIN, ANSI o JIS



Code	d	DN	Z	H1	H2	H3	H4	C1	C2	C3	C4	B	Q	PN	Weight (g)
FDRGPFP0750	75	65	48	80	132	53	158,5	139	56,5	160	42,5	134	61	10	2350
FDRGPFP0900	90	80	59	92	132	53	158,5	139	56,5	160	42,5	139	73	10	2550
FDRGPFP1100	110	100	59,5	106	132	53	158,5	139	56,5	160	42,5	150	82	10	2831
FDRGPFP1400	125/140	125	65	119	159	53	158,5	139	56,5	160	42,5	185	107	10	3668
FDRGPFP1600	160	150	69	130	215	59	244,5	189	70	160	42,5	259	128	10	6268
FDRGPFP2250	200/225	200	71	159	215	67	248,5	207	70	200	50	318	177	10	8350



Certifications and approvals: only for items declared on Official Listing or certificates. / Certificazioni: solo per gli articoli dichiarati nelle Official Listing o nei certificati stessi.

All descriptions and illustrations in this publication are intended for guidance only and shall not constitute a 'sale by description'. All dimensions given are nominal, while changes can be done on the information, products and specifications from time to time for a variety of reasons, without prior notice. The information in this publication is provided 'as is' on the revision date stated on the sheet. Updates will not be issued automatically. This information is not intended to have any legal effect, whether by way of advice, representation or warranty (express or implied). We accept no liability whatsoever (to the extent permitted by law) if you place any reliance on this publication you must do so at your own risk. All rights reserved. Copyright in this publication belongs to Polypipe Italia and all such copyright may not be used, sold, copied or reproduced in whole or part in any manner in any media to any person without prior consent. **EFFAST** is a registered trademark."